

Explosion-safe Signal Light AR-077/011

With factory sealed cable



Features

- ATEX certified
- Suitable for use in gas and dust hazardous areas, zones 1, 2, 21 and 22
- Lens in 6 different colors
- Available with Xenon bulb or multi-LED reflex lamp
- Anodized aluminum housing with stainless steel wall mount bracket
- Impact-resistant polycarbonate dome
- Ingress Protection level IP66
- 24, 48, 60, 115 V AC/DC and 230 V AC
- Fixed cable, 3 meters



II 2 G Ex d IIC T6
II 2 D Ex tD A21 IP65 T80°C



Description

Artidor's explosion-safe signal lights are designed to safely attract people's attention in areas with a possibly explosive atmosphere due to the release of gas or dust. They give a clearly detectable signal when a machine malfunctions or a process is interrupted, when there is a telephone call or a hazardous situation occurs which requires immediate attention.

The signal light can be ordered as a:

- strobe flashing light with a Xenon lamp;
- steady-burn LED status light;
- blinking LED status light.

The transparent dome has light dispersion ribs on the inside for optimum visibility. There are six light colors available.

The factory-sealed cable has a standard length of 3 meters but the signal light can be equipped with a longer cable on request. Thanks to the two bolts at the bottom, the signal light is suitable for mounting on top of control cabinets, machines and devices.

The Artidor signal lights are explosion-safe and certified according to European directive 2014/34/EU (ATEX 114) and are CE marked.



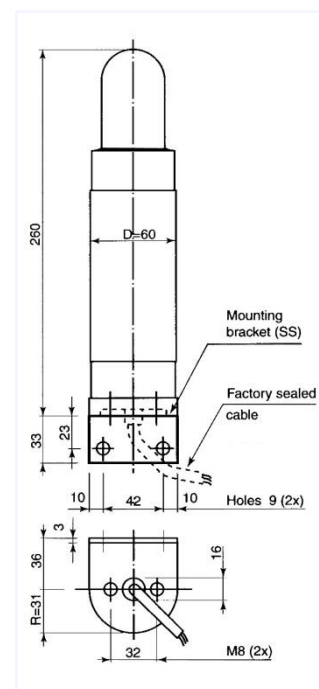
Explosion-safe Signal Light AR-077/011

With factory sealed cable



Technical data

Explosion safety:	II 2 G Ex d IIC T6, II 2 D Ex tD A21 IP65 T80°C
European directives:	2014/34/EU (ATEX 114) and 2014/30/EU (EMC)
Applied standards:	EN 60079-0:2006, EN 60079-1:2004, EN 61241-0:2006, EN 61241-1:2004, EN 50081-1, EN 50082-1
EC-Type Examination Certificate:	KEMA 07ATEX0046
Lens colors:	Red, Orange, Yellow, Green, Blue and Clear
Light source (Xenon):	Xenon bulb, 5 Joule, 1 flash / sec, 8·10 ⁶ flashes lifetime
Light source (LED):	Multi-LED reflex lamp
Material:	Anodized aluminum
Ingress Protection level:	IP66 according to EN 60529
Voltages:	24, 48, 60, 115 V AC/DC and 230 V AC
Activation time:	100%
Connection:	Factory sealed cable, color coded, 3 x 1 mm ² , length 3 meters
Earth connection:	External, stainless steel, 4 mm ²
Ambient temperature:	-20 °C to +40 °C
Dimensions:	Ø 60 x 293 mm (incl. bracket)
Weight:	1170 gram



Colors



Electrical data

	Flashing Signal Light (Xenon)					Status Light (LED)		Status Light (LED) blinking	
Voltage	24 V	48 V	60 V	115 V	230 V	24 V	230 V	24 V	230 V
AC/DC	AC/DC	AC/DC	AC/DC	AC/DC	AC	AC/DC	AC	AC/DC	AC
Variation	20-27 V	44-62 V	44-62 V	95-120 V	200-245 V	20-27 V	200-240 V	20-27 V	200-240 V
Current nom.	300 mA	170 mA	170 mA	130 mA	65 mA	30 mA	60 mA	30 mA	60 mA
Frequency	0-60 Hz	0-60 Hz	0-60 Hz	0-60 Hz	50-60 Hz	0-60 Hz	50-60 Hz	0-60 Hz	50-60 Hz
Power	8 VA	10 VA	10 VA	15 VA	15 VA	0,7 VA	1,4 VA	0,7 VA	1,4 VA

Explosion-safe Signal Light AR-077/011

With factory sealed cable



Ordering code

Type number		Voltages
AR-077/011/XE*	Flashing Signal Light (Xenon)	24, 48, 60 and 115 V AC/DC, 230 V AC
AR-077/011/LED*	Steady-burn Status Light (LED)	24 V AC/DC, 230 V AC
AR-077/011/LED Blinking*	Blinking Status Light (LED)	24 V AC/DC, 230 V AC

* Supply voltage and lens color must be specified upon ordering. All signal lights are provided with a stainless steel wall bracket.